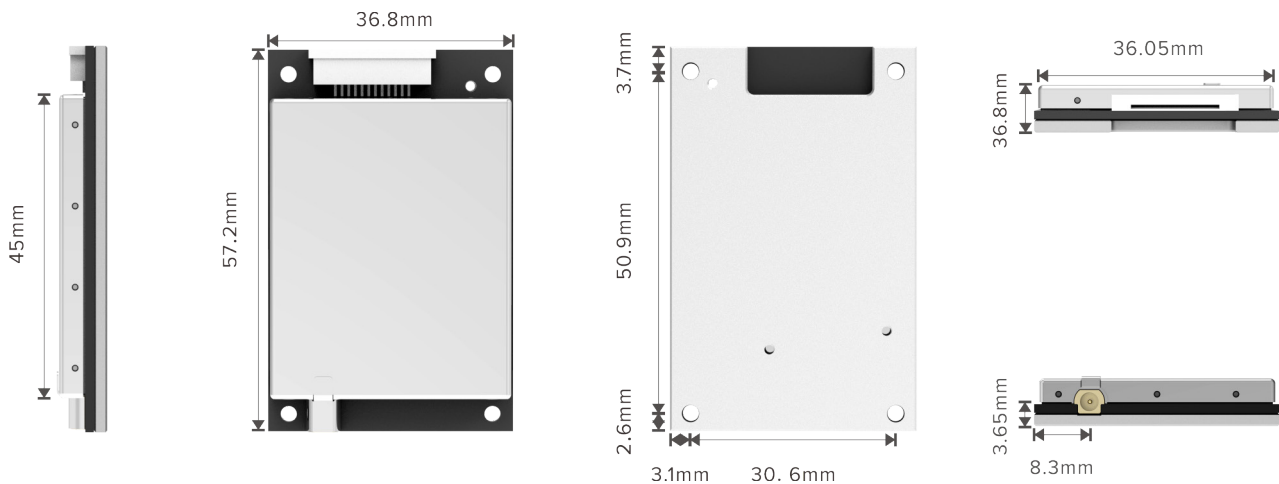


## CM-1

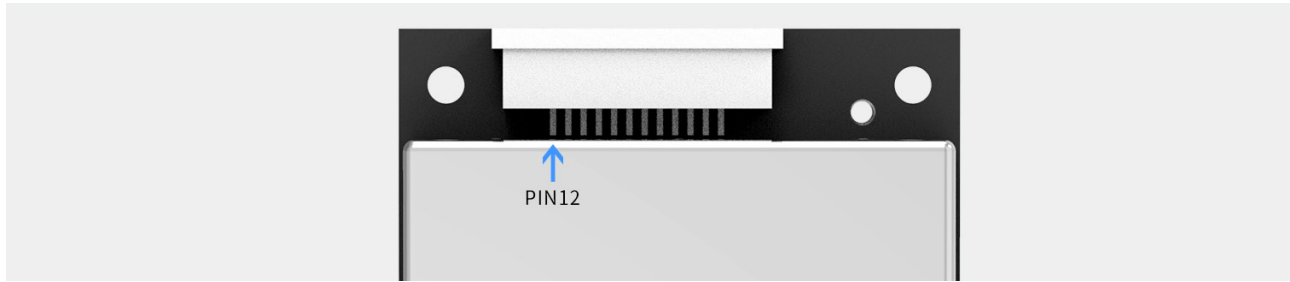
### UHF RFID Reader Module

Chainway CM-1 is a single channel UHF RFID reader module. It can be integrated in mobile UHF RFID readers, fixed readers, card readers and etc. With high integration level, it is small in size, low in power consumption, resistant to electromagnetic interference and good at heat dispersion. The module appeals to challenging industries like warehousing, logistics, apparel, production lines and such.

#### Dimensions



## Interface Definition (12 PIN)



PIN#	Interface	Description
1	VIN	3.5-5.25VDC
2	VIN	
3	GND	Ground
4	GND	Ground
5	EN	High LLT level (>1.2V) boot the module Low LLT level (<0.4V) out the module
6	IO1	Reserved GPIO 3.3V TTL level
7	IO2	Reserved GPIO 3.3V TTL level
8	IO3	Reserved GPIO 3.3V TTL level
9	RXD	UART receive 3.3V TTL level
10	TXD	UART transmit 3.3V TTL level
11	USB_DP	USB_DATA(+)
12	USB_DM	USB_DATA(-)

## Specification

Model	
UHF RFID Reader Module	CM-1
Development Board Module	CM-X_EDCB
Physical Characteristics	
Dimensions	57.2mm x 36.8mm x 7.6mm
Weight	26.0g/0.92oz
RFID Features	
RF Chip	Indy R2000
Air Interface Protocol	EPCglobal Gen2 (ISO18000-6C)
Working Frequency	860 – 960MHz
Output Power	5-30dBm adjustable; 1dB step interval; +/- 0.5dB precision
Output Power Flatness	+/- 0.2dB
Antenna Interface	50Ω RF connector MMCX Receptacle
Regions Supported	FCC 902-928 MHz; ETSI 865.6-867.6 MHz; China 920-925MHz; Others for customization (865-868, 902-928MHz)
Receive Sensitivity	< -88 dBm
Tag RSSI	Supported
Antenna Detector	Supported
Ambient Temp Monitor	Supported
Working Mode	Single/DRM

Communication Interface	
Connector	12 PIN FPC Connector
Host Communication	UART 3.3V TTL Level Baud Rate: 115200bps
Power Supply	
Input Voltage	DC 3.5-5.25V
Power Consumption in RF Output Mode	5.3W@30dBm
Power Consumption in Standby (EN high TTL level)	0.15W
Power Consumption in Power Down (EN low TTL level)	1μW
User Environment	
Operating Temp.	-25°C to 65°C
Storage Temp.	-40°C to 85°C
Humidity	10% - 95%
Reading Performance	
Reading Rate	>200 tags/s
Reading Range	>10m (with 4dBi antenna)

Notice: Product specifications are subject to change without prior notice. / Model: CM-1 / Update Date: 2018-08-15

**CHAINWAY®**

Shenzhen Chainway Information Technology Co., Ltd

Address: 9F, Building2, Phase 2, Gaoxinqi Industrial Park, Liuxian 1st Rd., Bao'an District, Shenzhen, Guangdong 518102, China  
Tel: 0086-755-23223316 Fax: 0086-755-23223310 Email: sales@chainway.cn Web: http://www.chainway.net